

# shop drawing

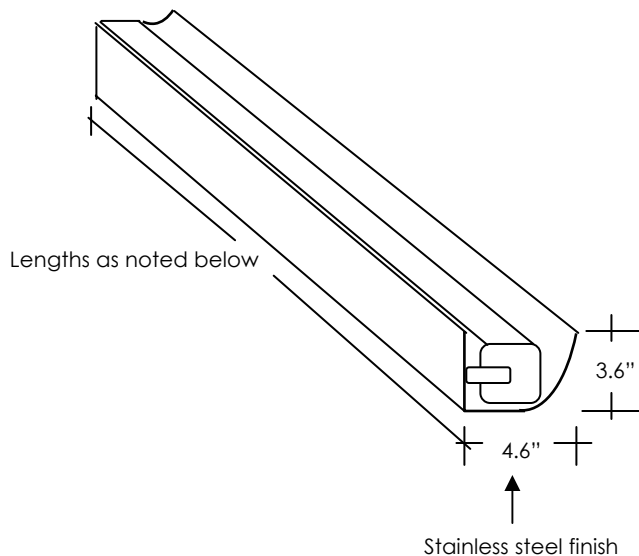
project specification

fixture type

D171CC - Stainless Steel finish CUSTOM COVE fixture

Job Name:  
Job Nbr:  
Tag:  
Distributor:  
Electrician  
Engineer:  
Interior Design:  
Architect:  
note: site measurements required

Note:  
Any Changes or modifications to mmj lighting 96 ltd lighting fixtures, must be done in the mmj lighting 96 ltd factory.  
Any modifications or changes done in the field will void all warranties and approvals.



Mounting brackets on the end of each 68" section to allow vertical adjustment of light channels.

### custom cove light stainless steel finish

- 48" overall length - one lamp
- 96" overall length - two lamp
- Stainless steel finish end caps
- Removable end caps for row mounting.

### Available light sources:

#### LVT5:

- 1-D171-54D 1x54w LVT5 HO complete with dimming ballast
- 1-D171-54D tandem 2x54w LVT5 HO complete with dimming ballast

#### LV CF Biax :

D632 straight biax:

- 3 x 13w = 24" x 2 - 48" fixture lengths.
- 4 x 18w = 48" x 1 - 48" fixture lengths.
- 2 x 40w = 48" x 1 - 48" fixture lengths.
- 2 x 50w = 48" x 1 - 48" fixture lengths

120v power from wall specify:

\_\_\_ right or \_\_\_ left

Mounting brackets on the end of each 68" section to allow vertical adjustment of light channels.

mounted to the wall with wall anchors [by others]

D171CC wall cove light 2.5.06



150 ferrier street, unit 2, markham, ontario L3R 3K3  
T 905 479 0788 F 905 479 7117 E sales@mmjlighting96.com

[www.mmjlighting96.com](http://www.mmjlighting96.com)

**mmj**  
lighting 96 ltd