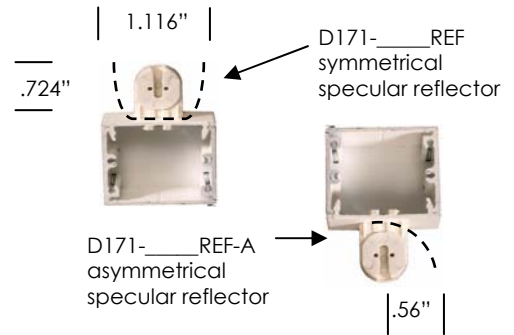
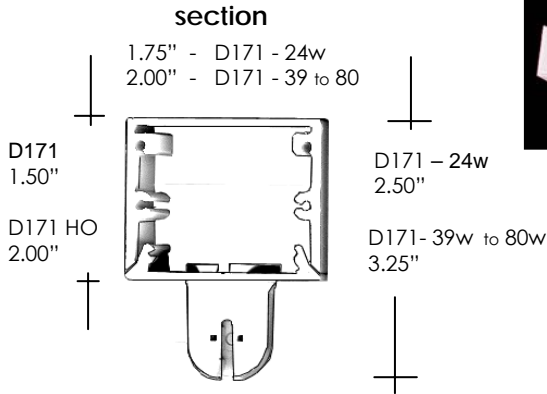


shop drawing

project specification

fixture type D171-HO-____, ____watts per lamp, ____watts per foot.



For tandem applications the: 2.05" x 3.5" extrusion must be specified for row mounting.

Specify:

D171-2-HO-____, ____watts per lamp

Dimming ballast: 2.885" x 3.50"

D171-2-D-HO-____, ____watts per lamp

Lighting specifications:

- D171HO - 24w
2 1/2" [64mm] high x 2" [54mm] wide
C: 2 1/2" [63mm] overall height.
- D171HO - 39w,
- D171HO - 54w,
- D171HO - 80w
2" [51mm] x 2" [51mm] wide
3 1/4" [82.5mm] overall height.

Dimming ballast available specify if HO

- D171 ____-D- ____w single lamp, ____ w/P'
- D171 ____-D- 2 x ____w tandem, ____ w/P'

Lighting specifications:

Fixture nbr	- lamp -	overall length -	initial lumens -	CRI -	rated hours -	colour
<input type="checkbox"/> D171HO-24	- 24w -	23.0" -	2000 -	82 -	16000 -	3000K
<input type="checkbox"/> D171HO-24	- 24w -	23.0" -	2000 -	82 -	16000 -	4100K
<input type="checkbox"/> D171HO-39	- 39w -	34 3/4" -	3500 -	82 -	16000 -	3000K
<input type="checkbox"/> D171HO-39	- 39w -	34 3/4" -	3500 -	82 -	16000 -	4100K
<input type="checkbox"/> D171HO-54	- 54w -	46.5" -	5000 -	82 -	16000 -	3000K
<input type="checkbox"/> D171HO-54	- 54w -	46.5" -	5000 -	82 -	16000 -	4100K
<input type="checkbox"/> D171HO-80	- 80w -	58.5" -	7000 -	82 -	16000 -	3000K
<input type="checkbox"/> D171HO-80	- 80w -	58.5" -	7000 -	82 -	16000 -	4100K

LAMPS NOT INCLUDED - Integral electronic ballast

Reflectors:

- D171-14-REF symmetrical
- D171-21-REF symmetrical
- D171-28-REF symmetrical
- D171-35-REF symmetrical
- REF-A asymmetrical 24"OAL
- REF-A asymmetrical 36"OAL
- REF-A asymmetrical 48"OAL
- REF-A asymmetrical 60"OAL

Joiners:

- D171-REF-J 4" OAL

Job Name:

Job Nbr:

Tag:

Distributor:

Electrician

Engineer:

Interior Design:

Architect:

note: site measurements required

Note:

Any Changes or modifications to mmj lighting 96 ltd lighting fixtures, must be done in the mmj lighting 96 ltd factory.

Any modifications or changes done in the field will void all warranties and approvals.



D171h0 strip 03.15.06

mmj lighting 96 ltd LVT5 strips are wired for row mounting, use:

- D171-J internal joiner [one per additional fixture] specify when required.

Lighting specifications tandem fixtures:

- D171- 2 x ____w tandem ____oal, 2 x 24w.
Dimensions: 1 3/4" x 1 3/4" extrusion, Overall Height 2 1/2"
- D171- 2 x ____w tandem ____oal. 2 x 39w, 2 x 54w, 2 x 80w
Dimensions: 2" x 2" extrusion, Overall Height 3 1/4"

Lighting specifications remote ballasted fixtures:

- D175- ____w tandem, 2 x ____w, oal_____[remote ballast required]
Dimensions: 1 3/4" x 3/4" extrusion, Overall Height 1 3/4"

Remote Electronic ballast D175 series - PRICE SEPERATELY

- EB____ballast ETH 101 housing
- EBR____ballast ETH 103 housing - remote ballast up to 20' away,

150 ferrier street, unit 2, markham, ontario L3R 3K3
T 905 479 0788 F 905 479 7117 E sales@mmjlighting96.com
www.mmjlighting96.com

