

Job Name:  
 Job Nbr:  
 Tag:  
 Distributor:  
 Electrician:  
 Engineer:  
 Interior Design:  
 Architect:  
 note: site measurements required

Note:  
 Any Changes or modifications to mmj lighting 96 ltd lighting fixtures, must be done in the mmj lighting 96 ltd factory. Any modifications or changes done in the field will void all warranties and approvals.



**• Controller – C140**

Control pulse signals and power for the LV LED tube come from the C140 controller,

- Connections from the controller to the LV LED tube are made with molded screw type male and female connectors.

**• Controller – C140 dmx**

- Each C140dmx controller can be used in a single group application or multiple group applications.]

**• Power supply – C141**

- required for up to 8 – D1000 LV LED tubes. C141 power supply's link to the main C140 controller. [ extension cables required for remote locations – consult mmj96 ]

**• LV LED tube – D1000-2W**

D1000-60	60 leds	rated power: 2.4w120v per 3.3' tube. Red , Yellow. 40 tubes with a 1a. converter. 80 tubes with a 2a. converter
	60 leds	4.8w120v per 3.3' tube. White,Blue,Green. 20 tubes with a 1a. converter. 40 tubes with a 2a. converter.

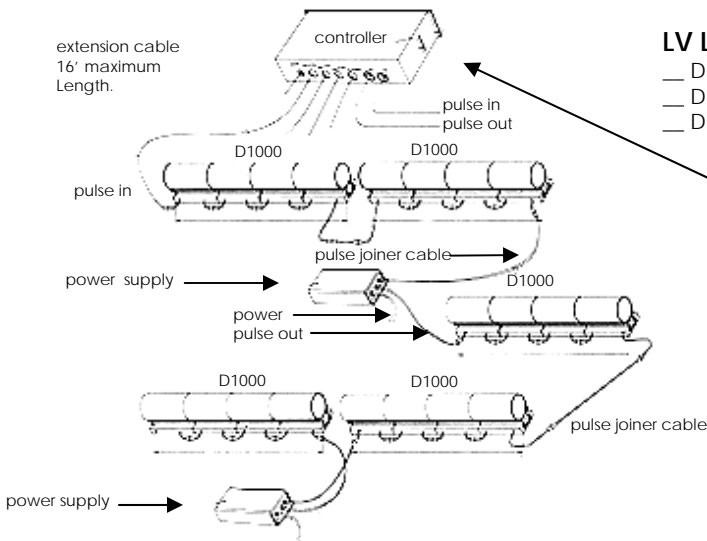
**LV LED tube - D1000-3Wchase**

D1000-120	120 leds	7.2w120v per 3.3' tube. Red, Blue.
-----------	----------	------------------------------------

- Each C140 controller can run up to 1000 linked - D1000 LV LED tubes per controller for each of the four outputs. [consult mmj96 for specifications]
- Power to the first group of 4 - D1000 LV LED tubes is supplied by the C140 controller.
- For each additional group of up to 8 – D1000 LV LED tubes a C141 power supply will be required.

**LV LED tube extension Cables:**

- D1000-CBL - 5'
- D1000-CBL - 15'
- D1000-CBL - 25' **CONSULT FACTORY**



Lv led tube power sources and tech spec's

150 ferrier street, unit 2, markham, ontario L3R 3K3  
 T 905 479 0788 F 905 479 7117 E sales@mmjlighting96.com

www.mmjlighting96.com