

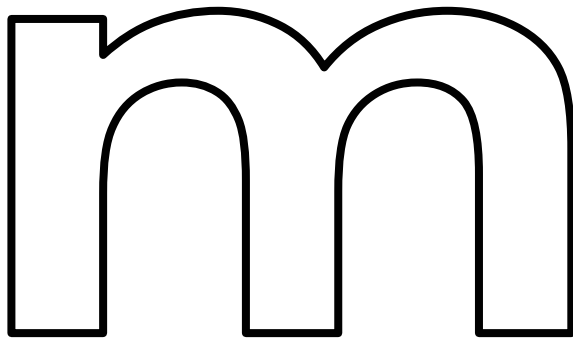
shop drawing

project specification

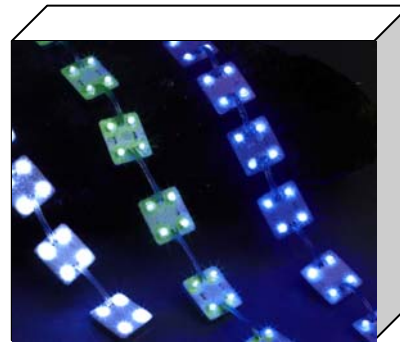
fixture type D1300LED starbrite back light

Job Name:
 Job Nbr:
 Tag:
 Distributor:
 Electrician
 Engineer:
 Interior Design:
 Architect:
 note: site measurements required

Note:
 Any Changes or modifications to mmj lighting 96 ltd lighting fixtures, must be done in the mmj lighting 96 ltd factory. Any modifications or changes done in the field will void all warranties and approvals.

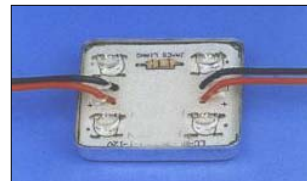


follow most contours with ease



minimum letter depth = 1.50"

LV Led starbrite backlite



Exterior LV Led:

D1300-1
 Red Yellow
 0.24w @ 12v DC
 Green, Blue and White
 0.48w @ 12v DC

Interior LV Led:

D1300-2
 Red, Yellow, Blue,
 Green and White
 0.48w @ 24v
D1300-3
 Red, Yellow, Blue,
 Green and White
 0.72w @24v DC

Remote power supply:

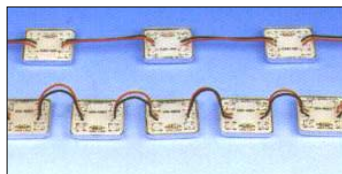
C143RGB

100-240v - 50/60HZ

Maximum load: 80 x D1300-1 per C143

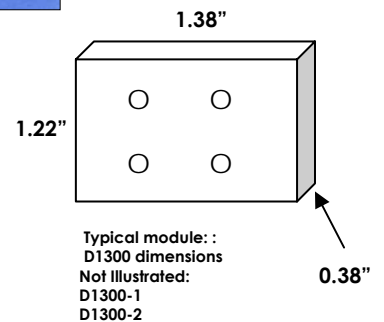
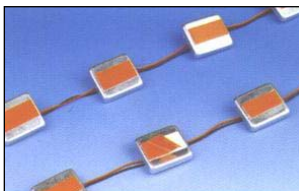
Output:

- 12v D1300-1, D1300-2,
- 24v D1300-3



Factory wired in string sets
 Standard or custom spacing.

Easily installed with
 Permanent VHB bond
 two sided Tape.



D1300LED shop drawing



150 Ferrier Street, Unit 2, Markham, Ontario L3R 3K3
 T 905 479 0788 F 905 479 7117 E sales@mmjlighting96.com

www.mmjlighting96.com

