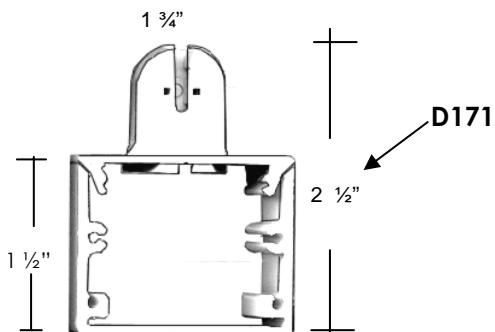


project specification

D171-__ integral ballast - D175-__ remote ballast LVT5

fixture type

LVT5 8watt to 35watt – □ 120v – □ 277v – □ 347v

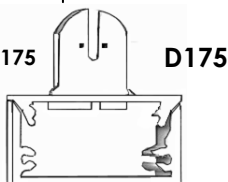


Note: When installing the D175 remote ballast fixture, use 1/2" flex secured within the fixture by A265-1 flex connector [included]

Remote ballast extrusion: D175

Dimensions:

- .75" [19mm] **high**
- 1.75" [45mm] **wide**
- 1.75" [45mm] **overall height**



Lighting specifications:

Fixture nbr	- lamp	- overall length	- initial lumens	- CRI	- rated hours	- colour
□ D171- 8	- 8w	- 12.5"	- 400	- 82	- 7500	- 3000K
□ D171- 8	- 8w	- 12.5"	- 390	- 82	- 7500	- 4000K
□ D171-14	- 14w	- 23.0"	- 1350	- 82	- 16000	- 3000K
□ D171-14	- 14w	- 23.0"	- 1350	- 82	- 16000	- 4100K
□ D171-21	- 21w	- 34 3/4"	- 2100	- 82	- 16000	- 3000K
□ D171-21	- 21w	- 34 3/4"	- 2100	- 82	- 16000	- 4100K
□ D171-28	- 28w	- 46.5"	- 2900	- 82	- 16000	- 3000K
□ D171-28	- 28w	- 46.5"	- 2900	- 82	- 16000	- 4100K
□ D171-35	- 35w	- 58.5"	- 3650	- 82	- 16000	- 3000K
□ D171-35	- 35w	- 58.5"	- 3650	- 82	- 16000	- 4100K

LAMPS NOT INCLUDED – Integral electronic ballast

Lighting specifications D175 remote ballasted fixtures:

Note: overall height: 1.75" body height: .75"
lengths and lamp wattages as D171 noted above.

Reflectors:

- D171-14-REF 24"OAL
- D171-21-REF 36"OAL
- D171-28-REF 48"OAL
- D171-35-REF 60"OAL

Reflector Joiners:

- D171-REF-J 4"OAL
- D171-IJ internal joiner use one for each fixture to complete run
- D193-IJ internal joiner use one for each fixture to complete run

All mmj lighting 96 ltd LVT5 strips are wired for row mounting

Lighting specifications tandem fixtures:

- D171- 2 x ___w tandem ___oal, □ 2 x 8w, □ 2 x 14w, □ 2 x 21w,
- D171- 2 x ___w tandem ___oal. □ 2 x 28w, □ 2 x 35w

Dimensions: 2" x 2" extrusion, Overall Height 3 1/4"

- D175- ___w □ tandem, 2 x ___w, oal_____. remote ballast required

Dimensions: 1 3/4" x 3/4" extrusion, Overall Height 1 3/4"

Remote Electronic ballast D175 series - EXTRA

- ETH EBR _____ ballast ETH 100 housing.
- ETH ETB _____ ballast ETH 103 housing

The ETH ETB ballast can be remote up to 20' away.

Job Name:

Job Nbr:

Tag:

Distributor:

Electrician

Engineer:

Interior Design:

Architect:

note: site measurements required

Note:

Any Changes or modifications to mmj lighting 96 ltd lighting fixtures, must be done in the mmj lighting 96 ltd factory. Any modifications or changes done in the field will void all warranties and approvals.

Electronic ballast specifications:

- type 1 outdoor
- minimum operating temperature
-20 deg F, [-30 deg C]
- maximum case temperature
158 deg F, [70 deg C]
- ballast warranty 5 years from date of purchase.

BALLAST WILL BE REPLACED AT A PRORATED VALUE DURING TIME OF WARRANTY PERIOD



Shop drawing d171 strip 03.05.07