

shop drawing

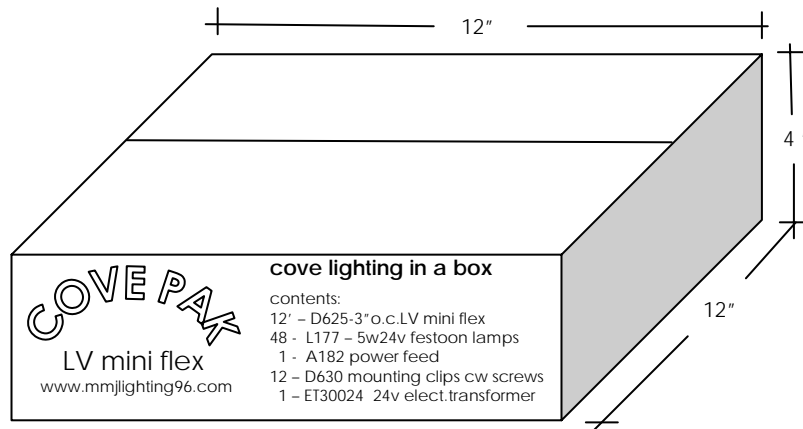
project specification

fixture type

LV mini flex **COVE PAK**

Job Name:
Job Nbr:
Tag:
Distributor:
Electrician
Engineer:
Interior Design:
Architect:
note: site measurements required

Note:
Any Changes or modifications to mmj lighting 96 ltd lighting fixtures, must be done in the mmj lighting 96 ltd factory. Any modifications or changes done in the field will void all warranties and approvals.



LV cove pack shop drawing 9.11.06



150 ferrier street, unit 2, markham, ontario L3R 3K3
T 905 479 0788 F 905 479 7117 E sales@mmjlighting96.com

www.mmjlighting96.com

mmj
lighting 96 ltd