

Project specification: D625 4 L / P' - 3 " o.c. , D121 extrusion, L177 5 w / P-LP 20w/ P' lamps.

fixture type

Job Name:
Job Nbr:
Tag:
Distributor:
Electrician
Engineer:
Interior Design:
Architect:

note: site measurements required

Note:
Any Changes or modifications to mmj lighting 96 ltd lighting fixtures, must be done in the mmj lighting 96 ltd factory.
Any modifications or changes done in the field will void all warranties and approvals.



Lighting specifications:

A: Socket height - 1" [25mm] , Socket width - 1" [25mm] .

B: A182 power feed - capacity 2 # 12 wires / 67 strand cable

Lamp specifications:

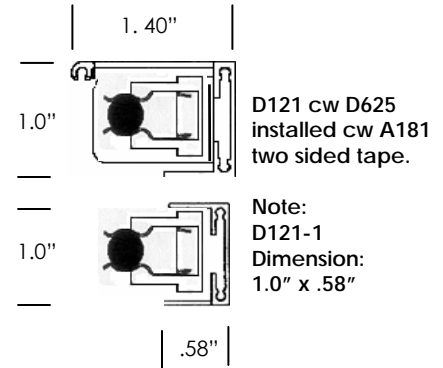
Incandescent clear :

Lamp nbr - type - watts ea. - volts ea - amps - lumens - rated hours

L179 - festoon - 5w - 24v - 0.2083 - 37 - 10,000

Accessories:

- D628a MR11 or MR16 rotatable lamp holder will accept 20w 12v lamp ONLY
- D121 extrusion: 1.4" x 1.0"
- D121-1 extrusion: 1.0" x .58"
- D121ec – End cap – included by mmj 96 with each run required.
- A181 – Two-sided Tape.



Extrusions and Angle brackets see section 10

- D121 Extrusion

Transformers – see binder section 7

MAXIMUM LINEAR RUN:

240w 10.0a @ 24v

- magnetic - TRF _____, _____v secondary
- electronic - ET _____, _____v secondary
- electronic housing – ETH _____

D625 c-w D628A, D176 shop drawing 6.30.04

