

Job Name:
 Job Nbr:
 Tag:
 Distributor:
 Electrician
 Engineer:
 Interior Design:
 Architect:
 note: site measurements required

Note:
 Any Changes or modifications to mmj lighting 96 ltd lighting fixtures, must be done in the mmj lighting 96 ltd factory. Any modifications or changes done in the field will void all warranties and approvals.
 Note:
 LVLED starbrite™ is a registered trademark of mmj lighting 96 ltd

Extrusion descriptions:

D116 Round aluminum extrusions:

- D116 round extrusion: remote power supply only.
- D116-1.38"
- D116-1.75"
- D116-2.50"
- D116-c lens not illustrated

D121 Low profile aluminum extrusions:

- D121 aluminum extrusion: remote power supply only.
- D121 extrusion for D199LED
- D121R extrusion for D199LED □ left □ right
- D121-c lens not illustrated

D171 aluminum extrusion:

- Integral power supply
- remote power supply.
- D171 extrusion cw D171EC end caps
- D171-IJ internal joiner use for runs longer than 8 feet.
- D171-c flat lens – not illustrated

D114 – D115 under cabinet and showcase extrusion

- D114 - 1.25" x 1.25" x 0.75"
- D114-c lens not illustrated
- D115 - 1.75" x 1.75" x 0.75"
- D115-c lens not illustrated

LV LED starbrite™ Light sources:

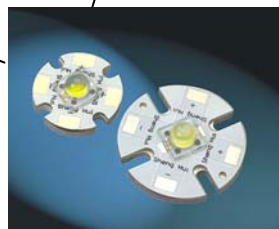
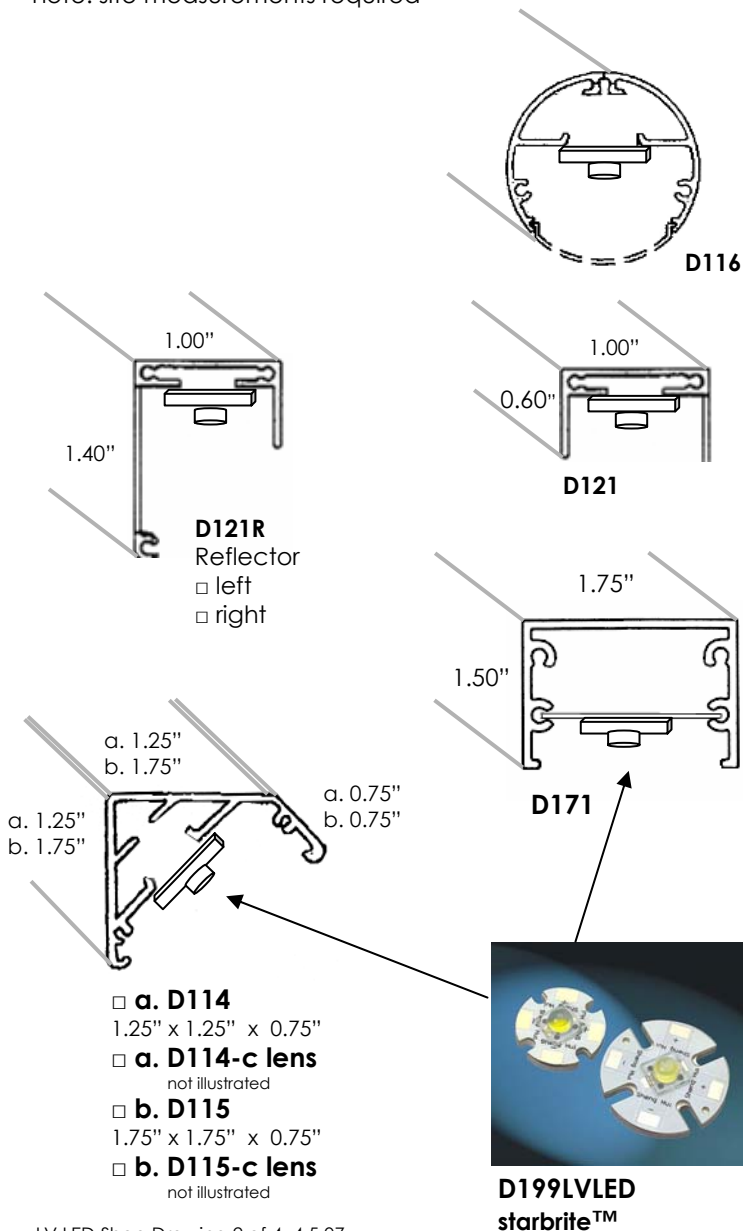
- D199LED-1w use: 350mA power supply
- D199LED-3w use: 350mA power supply

LV Led spacing:

- 1.5" o.c., □ 2.0" o.c., □ 3.0" o.c., □ 4.0" o.c., □ _____ o.c. **CUSTOM**
- refer to LV LED power supply shop drawing

Beam Lens:

- BL 100 - 10 10° narrow spot lens. - **CUSTOM**
- BL 100 - 30 25° narrow flood lens.- **STANDARD**
- BL 100 - 45 45° flood lens. – **CUSTOM**
- BL 100-106 106° wide flood
- BL 100 - 15x30 15° x 30° elliptical beam lens - **CUSTOM**



D199LVLED starbrite™

- **a. D114**
1.25" x 1.25" x 0.75"
- **a. D114-c lens**
not illustrated
- **b. D115**
1.75" x 1.75" x 0.75"
- **b. D115-c lens**
not illustrated

LV LED Shop Drawing 2 of 4 4.5.07