

shop drawing

project specification

fixture type D117 extrusion and cover with related lighting

Job Name:
Job Nbr:
Tag:
Distributor:
Electrician
Engineer:
Interior Design:
Architect:
note: site measurements required

Note:
Any Changes or modifications to mmj lighting 96 ltd lighting fixtures, must be done in the mmj lighting 96 ltd factory. Any modifications or changes done in the field will void all warranties and approvals.

extrusion - polypropylene

D117

lens - clear ribbed polypropylene

D117-C`

lighting

- LV mini flex - As listed below
- LV Led - as listed below
- D208LED interior, exterior applications
- D199LED interior applications [not illustrated]



LV mini flex series

- D625 3"o.c.
- D626 4"o.c.
- D625 5 lamps per foot

lamp with lens

- L176 3w24v

lamp without lens

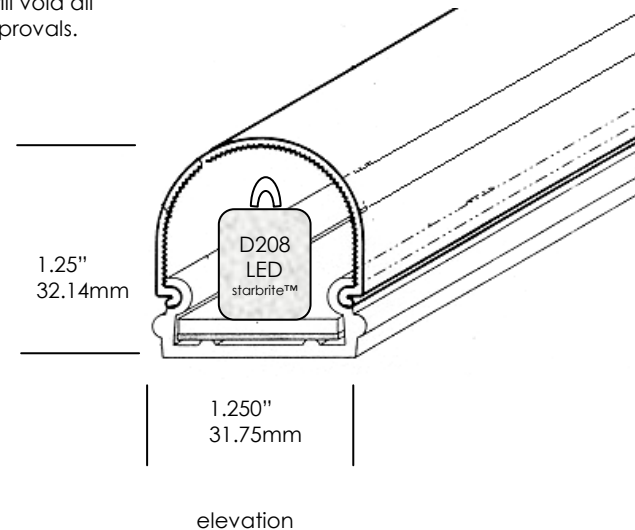
- L177Z 5w24v

power feed

- A182

lighting dimensions refer to section 5

D117 and cover with lighting06.14.07



LV LED series:

- D208LED BLUE
- D208LED

LV LED's

44 LV LED's

Dimensions:

20.0 " overall length
0.865" height
0.770" width

Power connection:

A182
Hardwired [mmj 96 factory]