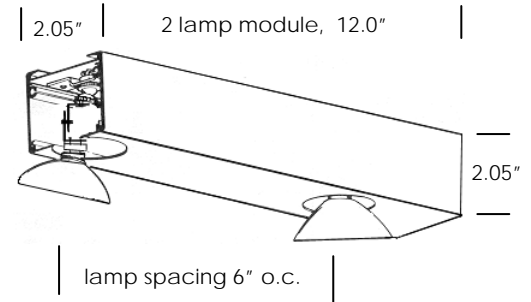
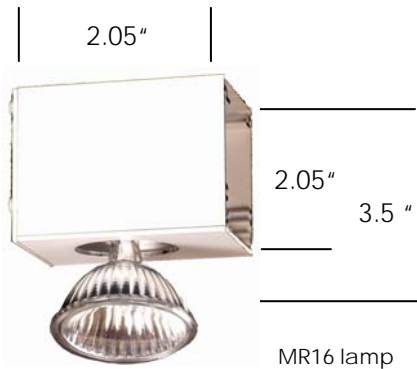


shop drawing

project specification

fixture type

D193-MR straight,



Note: lamps swivel up to 40 deg [20deg from centre line]

Job Name:
Job Nbr:
Tag:
Distributor:
Electrician
Engineer:
Interior Design:
Architect:
note: site measurements required

Note:
Any Changes or modifications
to mmj lighting 96 ltd lighting
fixtures, must be done in the
mmj lighting 96 ltd factory.
Any modifications or changes
done in the field will void all
warranties and approvals.

Specifications:

- housing and cover extruded aluminum: dimensions 2" x 2".
- **socket type:** halogen 5.3 bi-pin base.
- **lamp type:** MR16 axial filament in dichroic reflector 12v
MR 11, MR16.
20W, 35w, 50w 65w misc_____
- **beam:** 8deg, 10deg, 20deg, 25deg 40deg
- **Lens holder** D193MR-L black, chrome, stainless, gold
- **colour lens** D193MR-GL _____ specify colour.
- **MR straight:** D193MR - _____L , _____" overall length.
- **lamp spacing:** 3"o.c., 6"o.c., 12"o.c.,
custom spacing _____.
- **Available in:** 6" modules, integral at 50w maximum per module
12" modules Integral.
D193MR 2.125"square, integral et 300w max
- **finishes:** white, black,
anodized_____ advise finish.
- **transformer:** integral_____w _____v electronic transformer.
remote _____w _____v electronic transformer.
- **MR row mounting use:**
D193-IJ,, wired internal straight joiner.
when specified fixtures will be supplied with A182-3 on each end



D193mr shop drawing 1.20.04 c