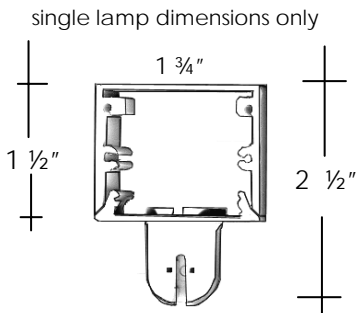


shop drawing

project specification

fixture type

D180 LVT8



D180

Extrusion Measurements: 1 3/4" x 1 1/2" extrusion
 2 1/2" [63.5 mm] overall height
 1 3/4" [44mm] wide
 1 1/2" [38.14mm] body height

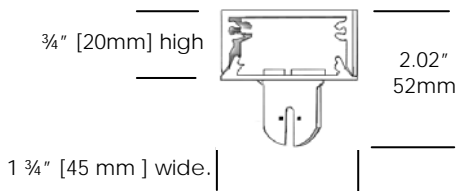
D180 tandem

Extrusion measurements: 2.1/8" x 2 1/16"
 3 1/2" - 87.95 mm overall height
 2 1/8" - 54.20 mm width
 2 1/16" - 52.55 mm body height



MAXIMUM OVERALL EXTRUSION LENGTH 8'

Note: Socket shipped inside of housing wired Insert into housing when installing.



over all height

Remote Ballast Extrusion
 D181-____w

Remote ballast tandem extrusion
 D181 tandem - ____w

Job Name:

Job Nbr:

Tag:

Distributor:

Electrician

Engineer:

Interior Design:

Architect:

note: site measurements required

Single lamp specifications:

D180 - 17w 24" o.a.length
 D180 - 25w 38" o.a.length
 D180 - 32w 49" o.a.length

Two lamp tandem fixtures require 2" x 2" extrusion

D180 - 17w x 2 tandem 48" o.a. length
 D180 - 24w x 2 tandem 76" o.a.length
 D180 - 32w x 2 tandem 96" o.a.length

Note:

Lamps extra, please specify 2700k, 3000K or 4100K.

Maximum overall extrusion length - 8'.

Branch through wiring access. (up to 6 #18 wires)

Please advise if feed is: left or right.

Integral electronic ballast.

type 1 outdoor

minimum operating temperature -20 deg F, [-30 deg C]

maximum case temperature 158 deg F, [70 deg C]

ballast warranty 5 years from date of purchase.

BALLAST WILL BE REPLACED AT A PRORATED VALUE DURING TIME OF WARRANTY PERIOD



Shop drawing d180 strip 1.20.04 c us

150 ferrier street, unit 2, markham, ontario L3R 3K3
 T 905 479 0788 F 905 479 7117 E sales@mmjlighting96.com
www.mmjlighting96.com

mmj
 lighting 96 ltd.