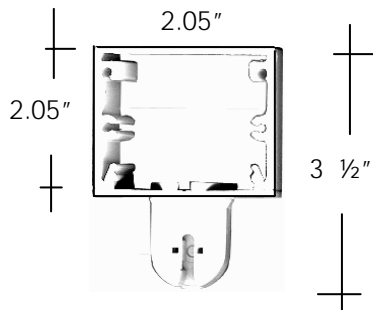


shop drawing

project specification

fixture type

D171B-8, D171B-14, D171B-21 Bendable LVT5



Extrusion Measurements:

D171

3.50" [64 mm] overall height

2.05" [45 mm] wide

MAXIMUM SINGLE LENGTH 8'

Job Name:

Job Nbr:

Tag:

Distributor:

Electrician

Engineer:

Interior Design:

Architect:

note: site measurements required

Specifications for multiple lamp tandem fixtures:

D171B2 - 8w, 2 x 8w lamps Overall length 27" 12.5" per section

D171B4 - 8w, 4 x 8w lamps Overall length 54" 12.5" per section

D171B2 - 14w, 2 x 14w lamps Overall length 48" 23.0" per section

D171B4 - 14w, 4 x 14w lamps Overall length 96" 23.0" per section

D171B2 - 21w, 2 x 21w lamps Overall length 72" 34.75" per section

D171B4 - 21w, 4 x 21w lamps Overall length 144" 34.75" per section

Lamps extra, please specify 2700k, 3000K or 4100K.

Maximum overall extrusion length - 8'.

D193F flex joiner - use to join all tandem fixtures up to a maximum load of 1400w 15a at 120v

All mmj lighting 96 ltd LVT5 fixtures are wired for row mounting:

Branch through wiring access. (up to 6 #18 wires)

type 1 outdoor

minimum operating temperature -20 deg F, [-30 deg C]

maximum case temperature 158 deg F, [70 deg C]

ballast warranty 5 years from date of purchase.

BALLAST WILL BE REPLACED AT A PRORATED VALUE DURING TIME OF WARRANTY PERIOD

Note:

Any Changes or modifications to mmj lighting 96 ltd lighting fixtures, must be done in the mmj lighting 96 ltd factory.

Any modifications or changes done in the field will void all warranties and approvals.

Shop drawing d171B strip 1.20.04



150 ferrier street, unit 2, markham, ontario L3R 3K3

T 905 479 0788 F 905 479 7117 E sales@mmjlighting96.com

www.mmjlighting96.com

mmj
lighting 96 ltd