

shop drawing

project specification

fixture type LV Path Extrusion c-w LV mini horizontal tape

Job Name:
 Job Nbr:
 Tag:
 Distributor:
 Electrician:
 Engineer:
 Interior Design:
 Architect:
 note: site measurements required

Note:
 Any Changes or modifications to mmj lighting 96 ltd lighting fixtures, must be done in the mmj lighting 96 ltd factory. Any modifications or changes done in the field will void all warranties and approvals.

Extrusion:
 black PVC, available in lengths up to 8' complete with a clear snap in lens.

Flame rating: class 94v-0

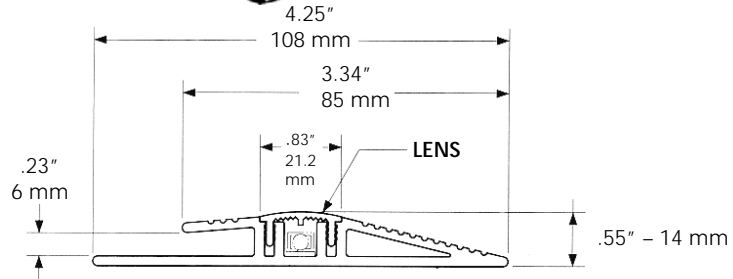
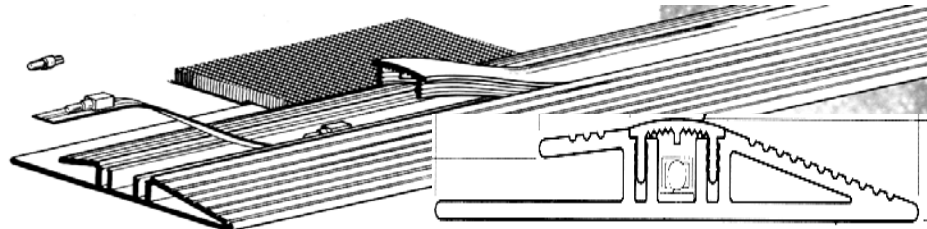
Lighting:
 LV mini horizontal tape
 LV LED mini horizontal tape
 see section 2 for lighting specifications

Lamp spacing: as specified

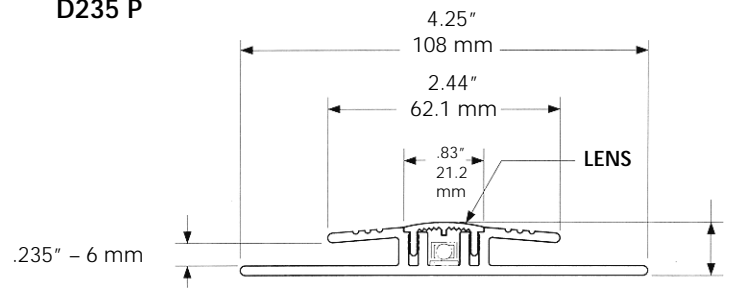
Lamps:
 1watt, 12V or 24v.

Profiles:
 D235P – carpet to floor D236P carpet to carpet
 D237P – carpet to wall D238P twin bull nose

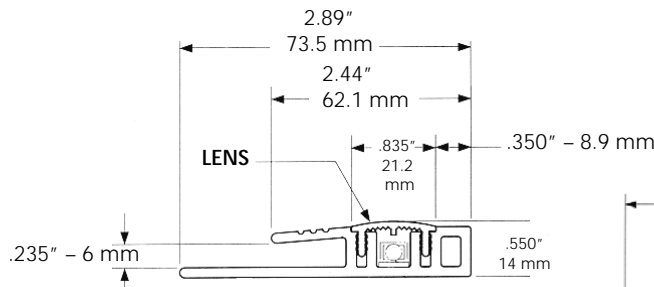
transformers: as specified see binder section 7



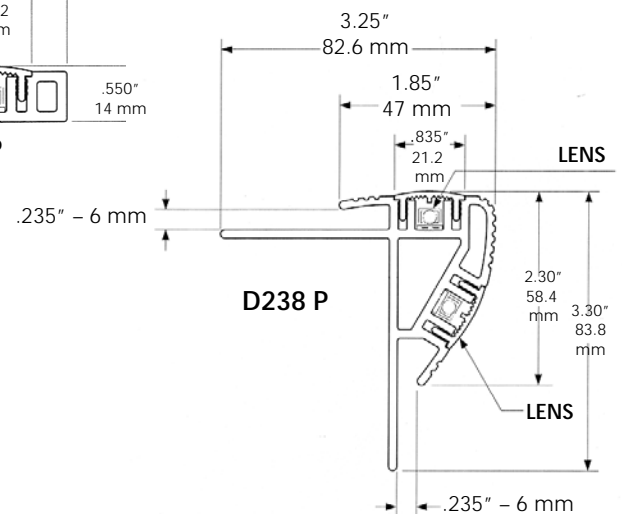
D235 P



D236 P



D237 P



D238 P



LV Path shop drawing revised 11.11.03

150 ferrier street, unit 2, markham, ontario L3R 3K3
 T 905 479 0788 F 905 479 7117 E sales@mmjlighting96.com

www.mmjlighting96.com

mmj
 lighting 96 ltd