

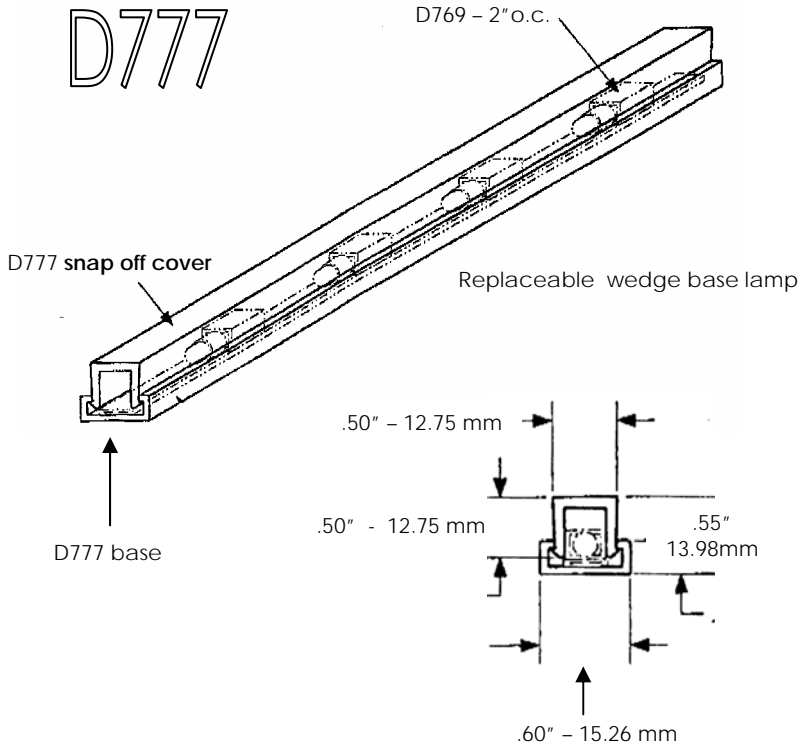
shop drawing

project specification

fixture type D777 poly extrusion c-w D769 LV mini horizontal tape

Job Name:
Job Nbr:
Tag:
Distributor:
Electrician
Engineer:
Interior Design:
Architect:
note: site measurements required

Note:
Any Changes or modifications to mmj lighting 96 ltd lighting fixtures, must be done in the mmj lighting 96 ltd factory.
Any modifications or changes done in the field will void all warranties and approvals.



Specifications:
D777 LV Horizontal Tape Extrusion and Lens.

Use with: LV mini Horizontal tape:
D767 - 2" o.c. D768 - 3" o.c. D769 - 4" o.c.
D770 - 6" o.c. D771 - 8" o.c.

Note:
See: LV mini horizontal tape specification sheet for accessories.

See: Section 7 for transformers, breakers and wire sizes for distances from the transformer to the lighting.



D777 cw D769 revised 1.20.04