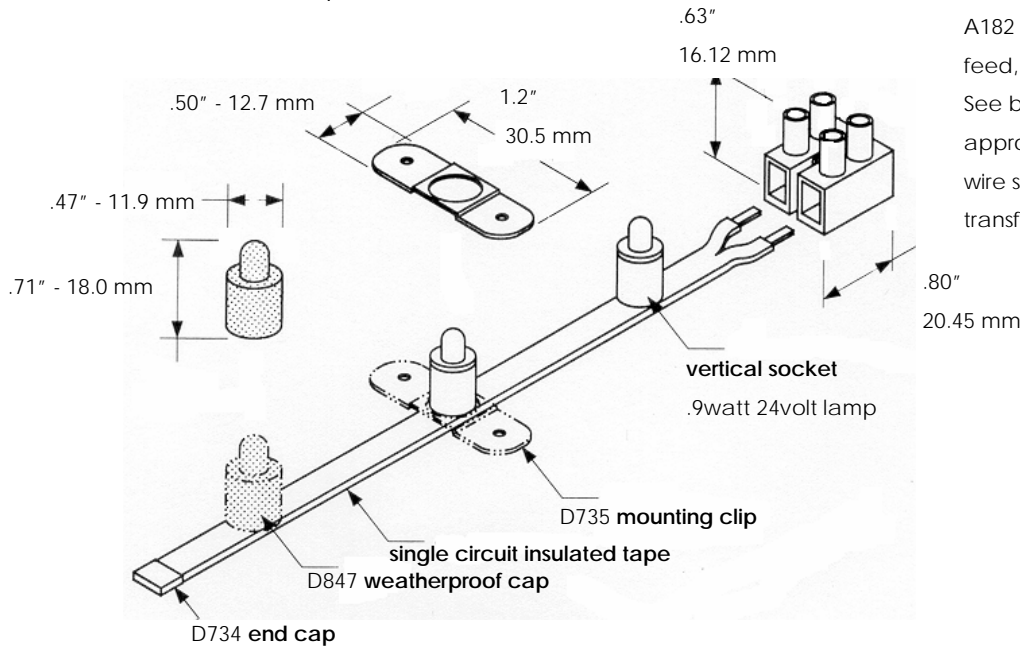


project specification D728 series **LV Tape [single circuit]** dimensions and accessories as below

fixture type

Job Name:
 Job Nbr:
 Tag:
 Distributor:
 Electrician
 Engineer:
 Interior Design:
 Architect:
 note: site measurements required

Note:
 Any Changes or modifications to mmj lighting 96 ltd lighting fixtures, must be done in the mmj lighting 96 ltd factory.
 Any modifications or changes done in the field will void all warranties and approvals.



A182 two wire power feed, up to 12 gauge wire.
 See binder section 7 for appropriate breaker and wire sizes from light strip to transformer.

Specifications: Single Circuit LV tape.

Lamp spacing:

| | | | |
|------|----------|------|---------|
| D728 | 2" o.c., | D729 | 3" o.c. |
| D730 | 4" o.c. | D731 | 6" o.c. |
| D732 | 8" o.o. | | |

Weatherproof caps: D845 colours listed below:

| | | |
|-----------------|----------------|----------------|
| D845R - Red, | D845B - Blue, | D845G - Green, |
| D845Y - Yellow, | D845C - Clear. | |

Accessories:

- D743 two sided tape,
- D734 end caps,
- D735 mounting clips,

Power feed:

A182 power feed included in quotation with each run.

For transformers see binder section 7.

Available extrusion: see binder section 10.

- D117/ D117-C
- D777

Replacement lamp:

D736 replacement lamp. [20,000 hour lamp life]

LV Tape single circuit shop drawing 1.20.4

